

WORLD TOWER

COMPANY, INC.

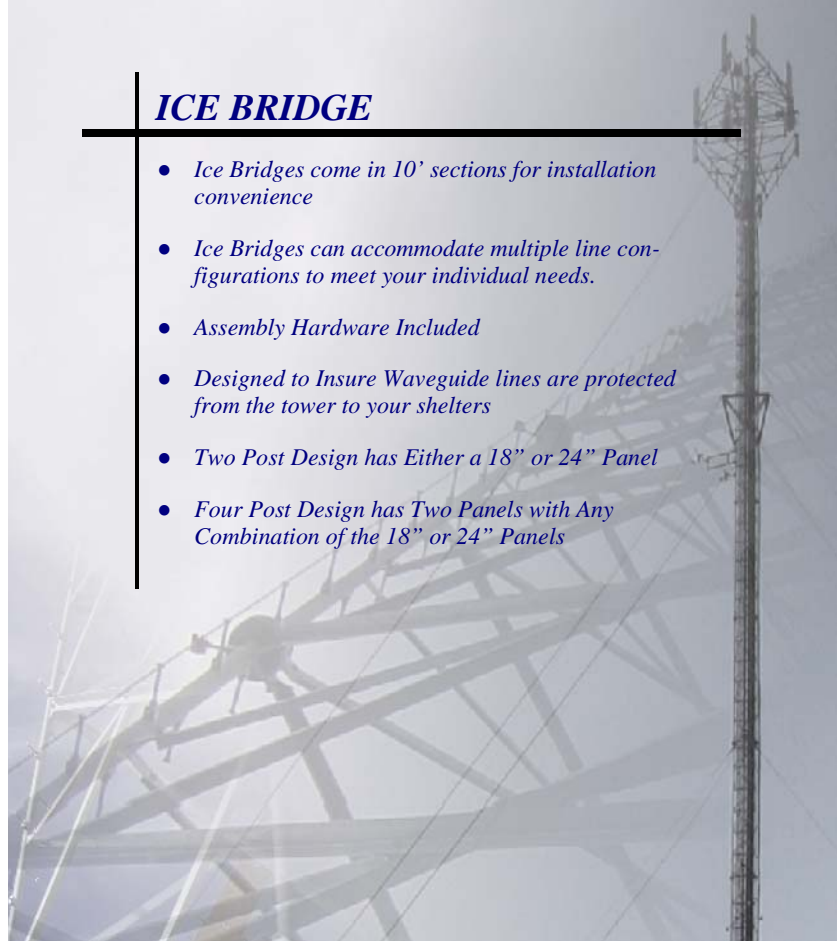
1213 Compressor Drive
P.O. Box 508
Mayfield, KY 42066

Phone: 270-247-3642
Fax: 270-247-0909

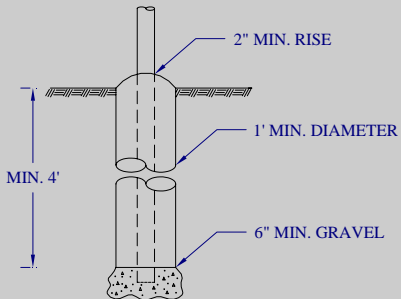
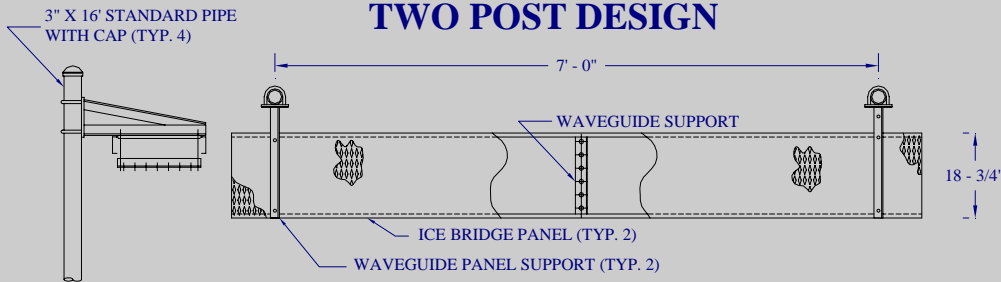
WWW.WORLDTOWER.COM

ICE BRIDGE

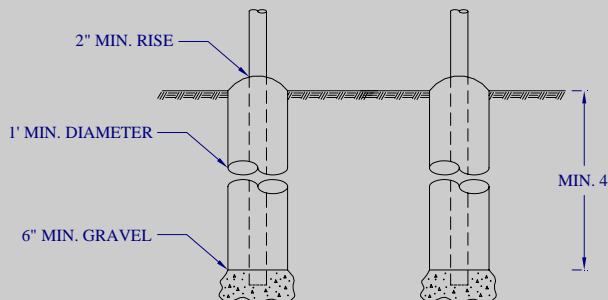
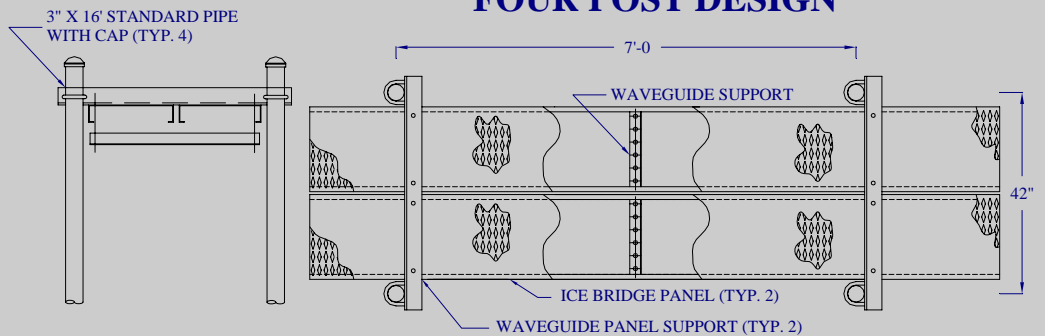
- Ice Bridges come in 10' sections for installation convenience
- Ice Bridges can accommodate multiple line configurations to meet your individual needs.
- Assembly Hardware Included
- Designed to Insure Waveguide lines are protected from the tower to your shelters
- Two Post Design has Either a 18" or 24" Panel
- Four Post Design has Two Panels with Any Combination of the 18" or 24" Panels



TWO POST DESIGN



FOUR POST DESIGN



* Design Shown is for Normal Soil