

WORLD TOWER

COMPANY, INC.

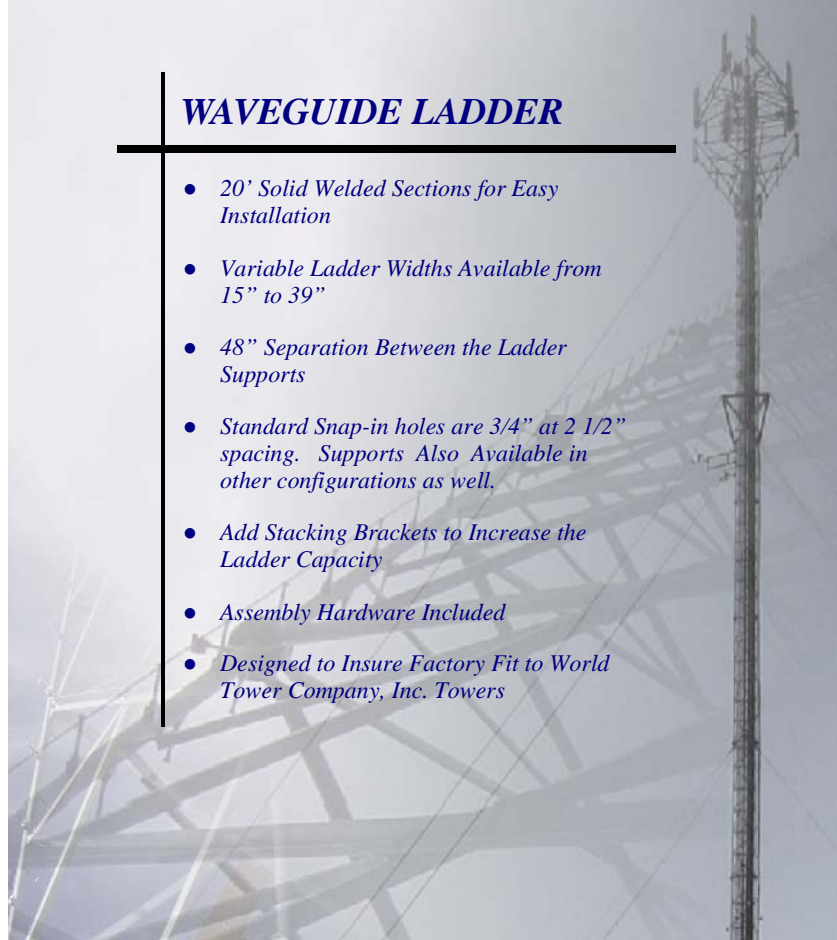
1213 Compressor Drive
P.O. Box 508
Mayfield, KY 42066

Phone: 270-247-3642
Fax: 270-247-0909

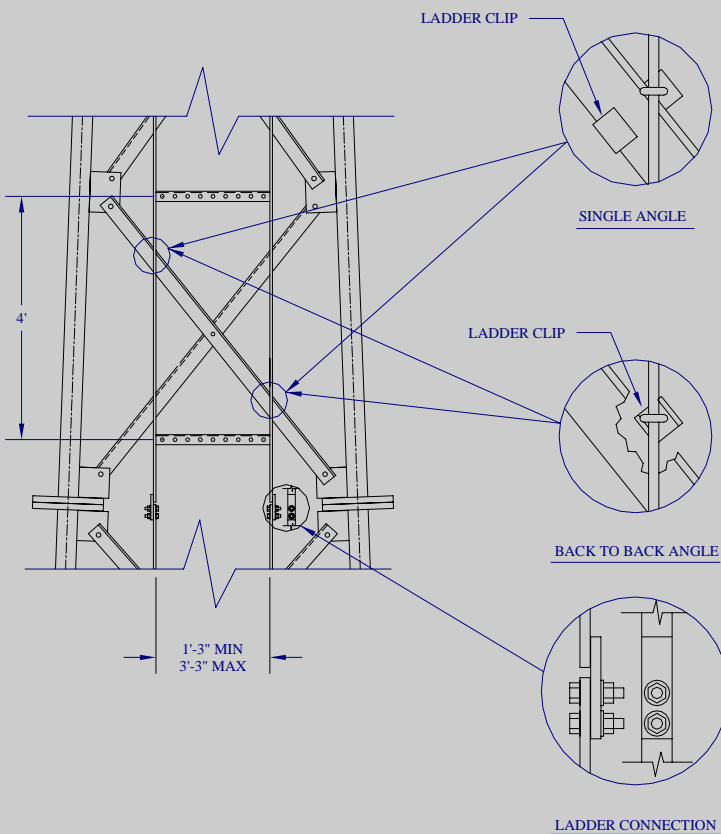
WWW.WORLDTOWER.COM

WAVEGUIDE LADDER

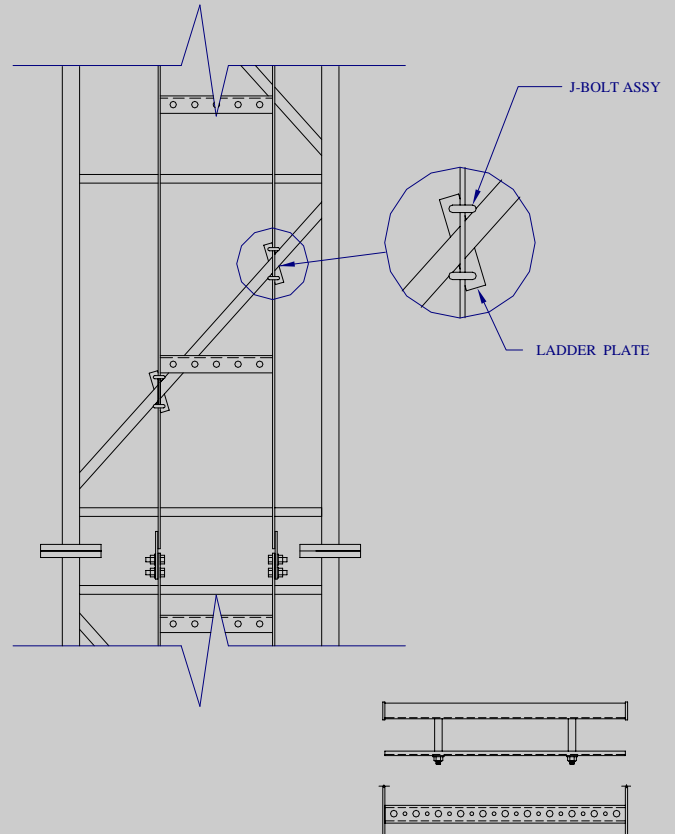
- 20' Solid Welded Sections for Easy Installation
- Variable Ladder Widths Available from 15" to 39"
- 48" Separation Between the Ladder Supports
- Standard Snap-in holes are 3/4" at 2 1/2" spacing. Supports Also Available in other configurations as well.
- Add Stacking Brackets to Increase the Ladder Capacity
- Assembly Hardware Included
- Designed to Insure Factory Fit to World Tower Company, Inc. Towers



TAPERED SECTION DETAIL



STRAIGHT SECTION DETAIL



STACKING BRACKET