

WORLD TOWER

COMPANY, INC.

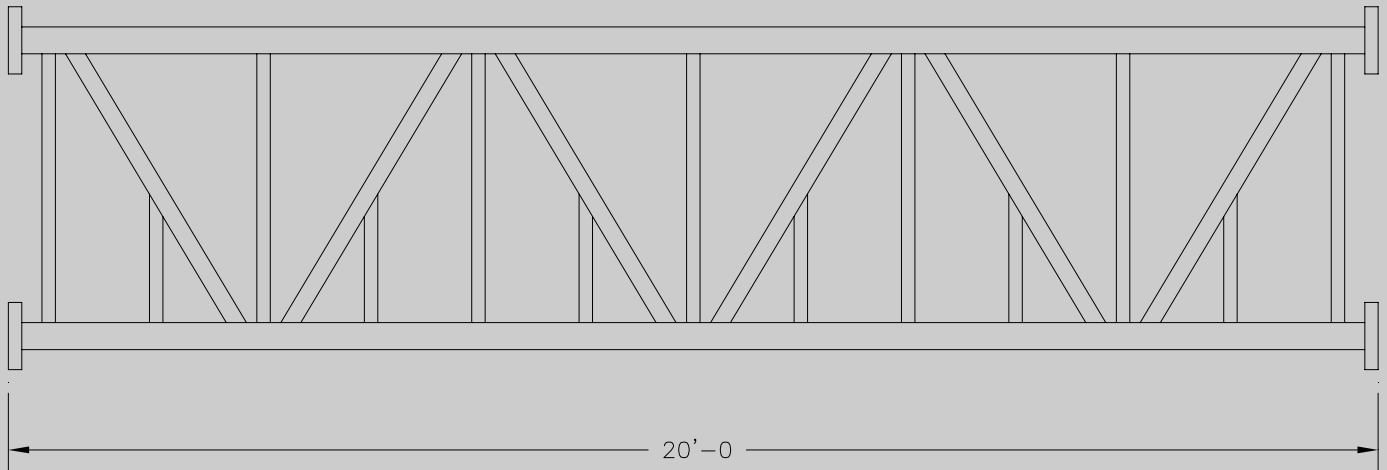
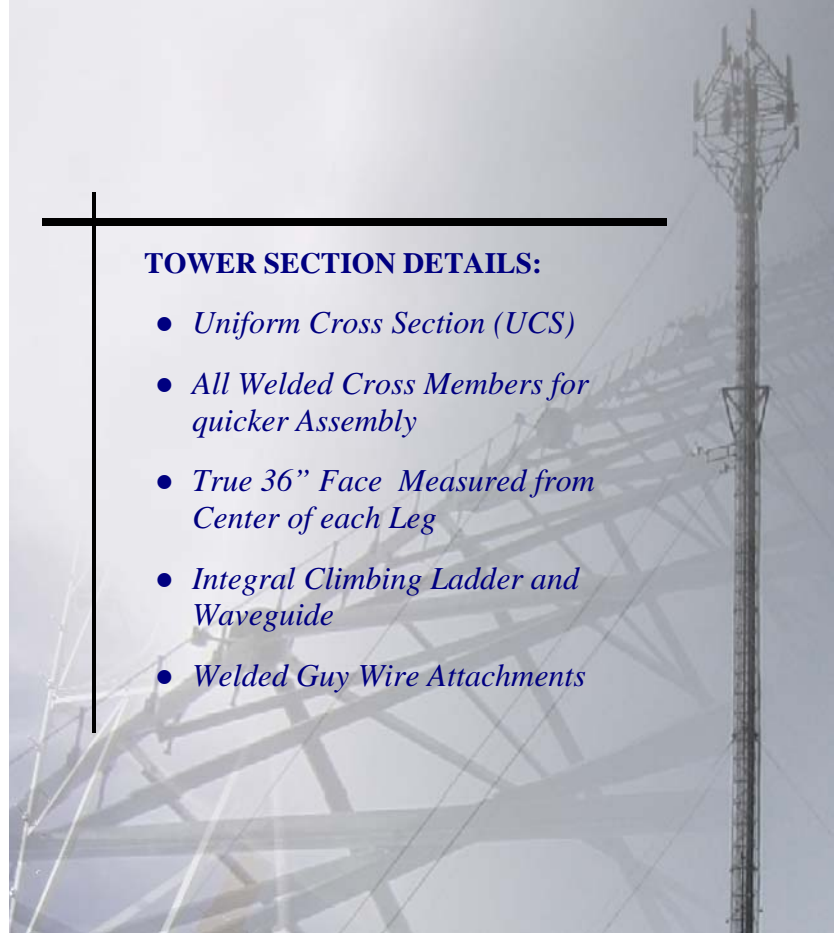
1213 Compressor Drive
P.O. Box 508
Mayfield, KY 42066

Phone: 270-247-3642
Fax: 270-247-0909

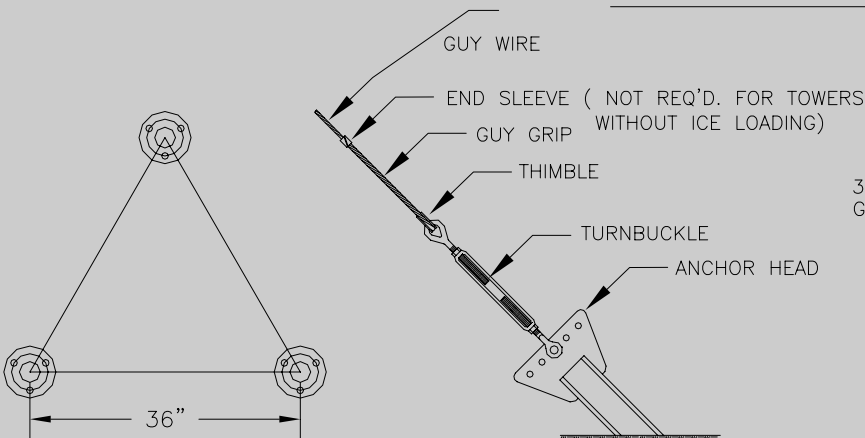
WWW.WORLDTOWER.COM

TOWER SECTION DETAILS:

- *Uniform Cross Section (UCS)*
- *All Welded Cross Members for quicker Assembly*
- *True 36" Face Measured from Center of each Leg*
- *Integral Climbing Ladder and Waveguide*
- *Welded Guy Wire Attachments*

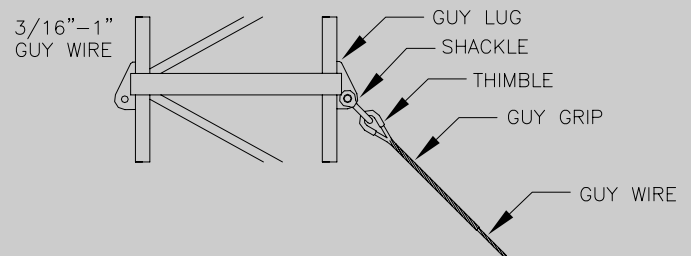


SECTION ELEVATION



SECTION PLAN

ANCHOR ASSMBLY



GUY WIRE ATTACHMENT